

BASIC LINE

BAR STATION (BM-09)

Stainless steel construction Insulated ice well with dividers

Insulated ice well with dividers

Front-mounted double speedrack for bottles

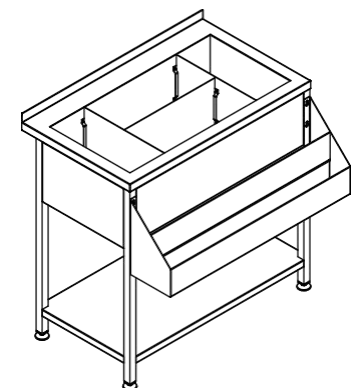
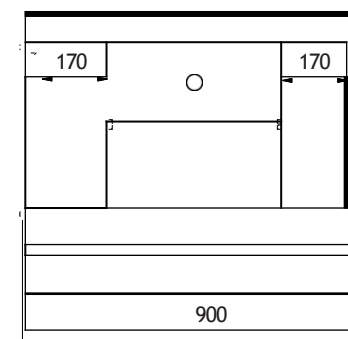
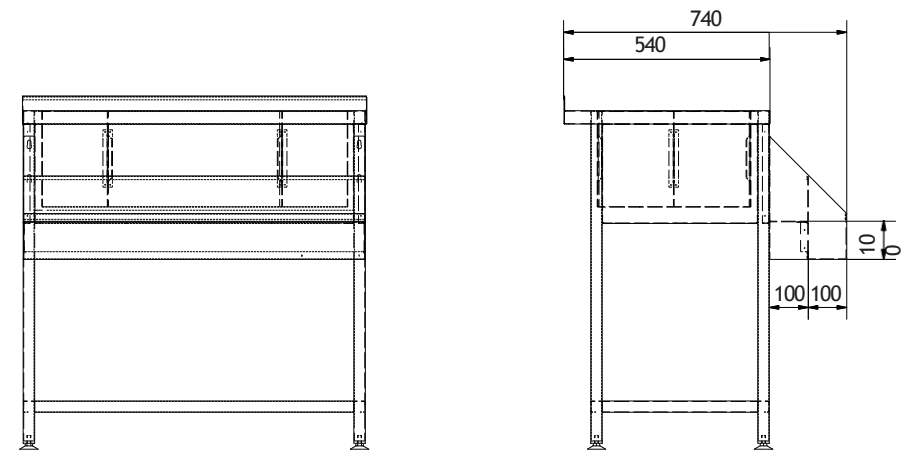
Smooth bottom shelf

Rear upstand 50mm at the back

Dimensions (mm): 900x740x900



Price:



ALL PRICES IN EUR (EXW RIGA)*

BASIC LINE

BAR STATION (BM-14)

Stainless steel construction

Insulated ice well with dividers

Front-mounted double speedrack for bottles

Sink (300x240mm)

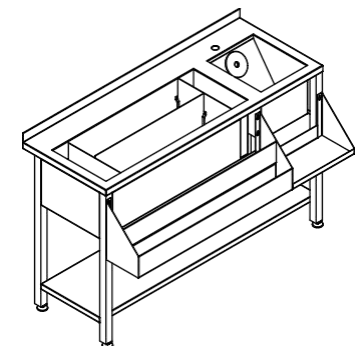
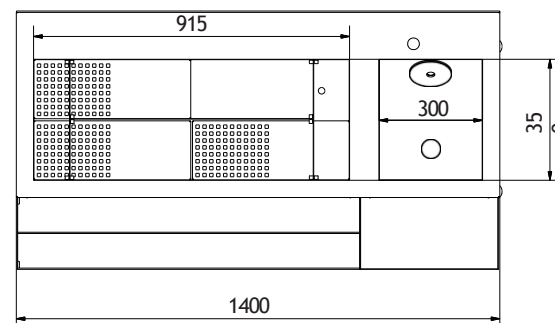
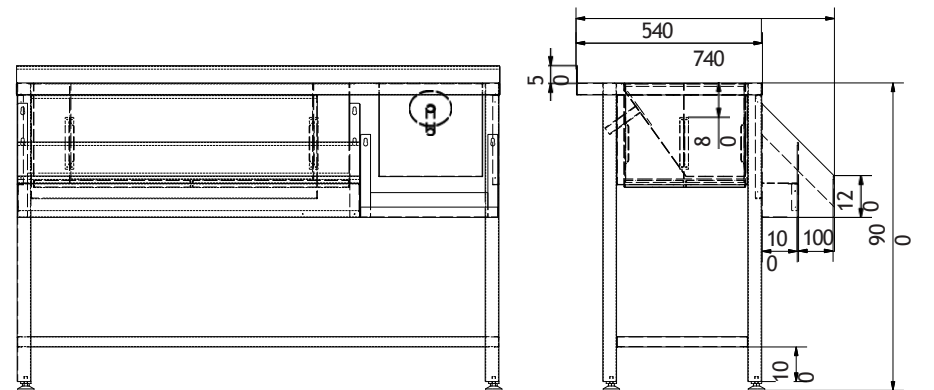
Front-mounted platform for blender

Smooth bottom shelf

Rear upstand 50mm at the back

Dimensions (mm): 1400x740x900

Price:



ALL PRICES IN EUR (EXW RIGA)*

PROFESSIONAL LINE

BAR STATION (BM-14)



BASIC LINE

BAR STATION (BM-16)

Stainless steel construction

Two insulated ice wells with dividers

Front-mounted double speedrack for bottles

Sink (300x240mm)

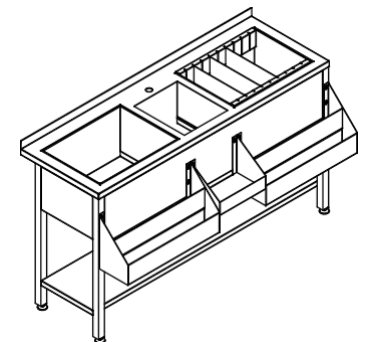
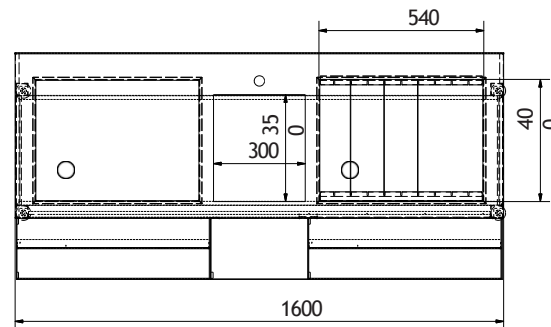
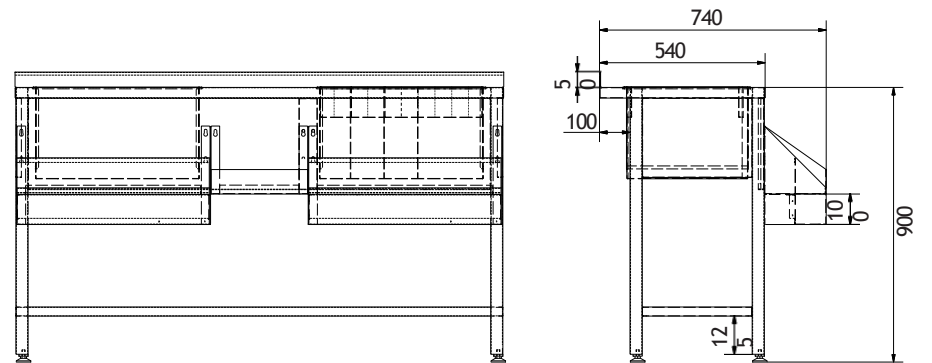
Front-mounted platform for blender

Smooth bottom shelf

Rear upstand 50mm at the back

Dimensions (mm): 1600x740x900

Price:



ALL PRICES IN EUR (EXW RIGA)*

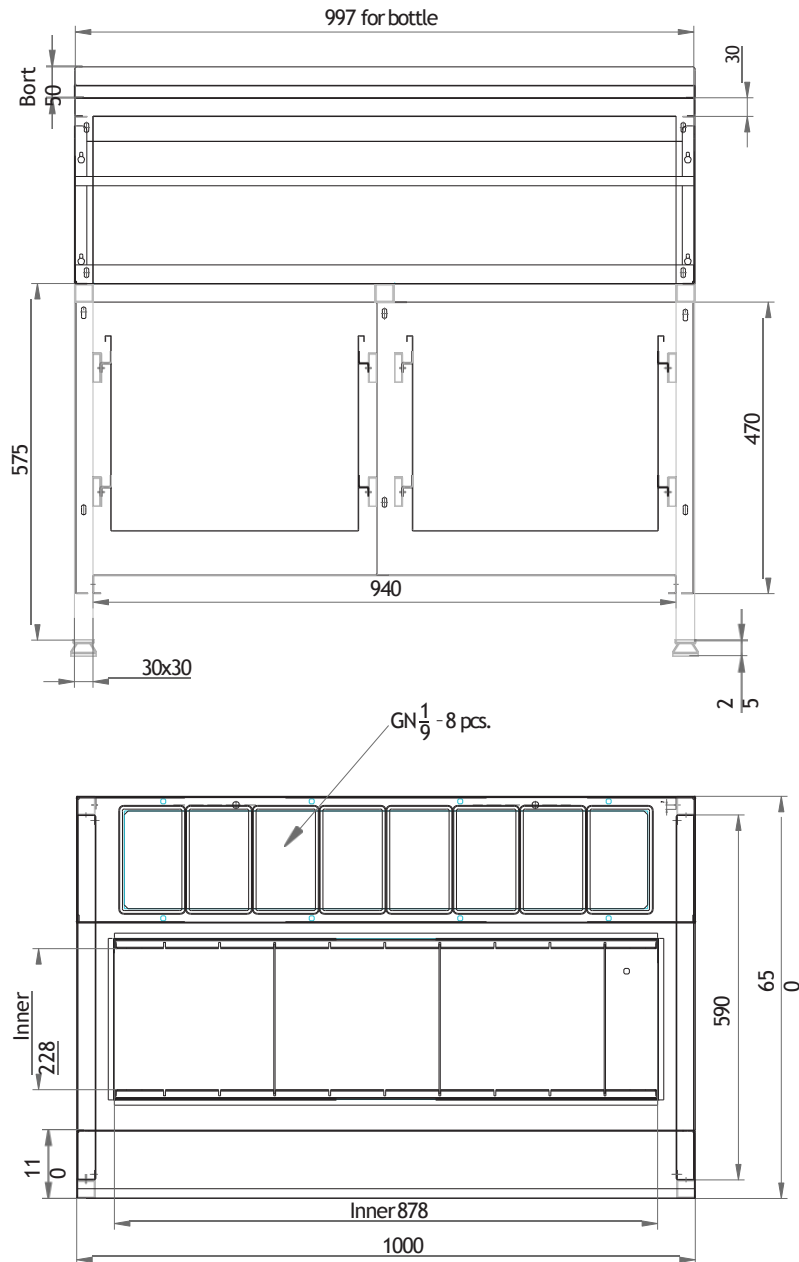
STANDARD LINE

BAR STATION (BMFD-1)



STANDARD LINE

BAR STATION (BMFD-1)



Stainless steel construction

Insulated ice well with dividers (878x288mm)

8 GN 1/9 trays for bar condiments

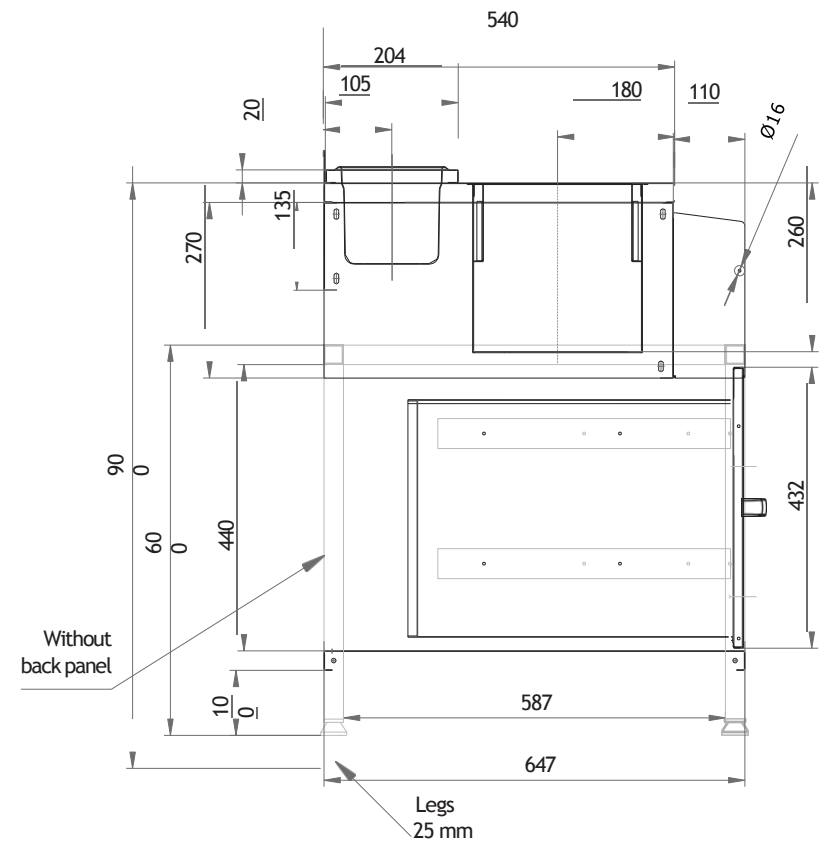
Front-mounted single speedrack for bottles

Two neutral temperature drawers below for bottles

Rear upstand 50mm at the back

Dimension (mm): 1000x650x900

Price:



STANDARD LINE

BAR STATION (BMFD-2)

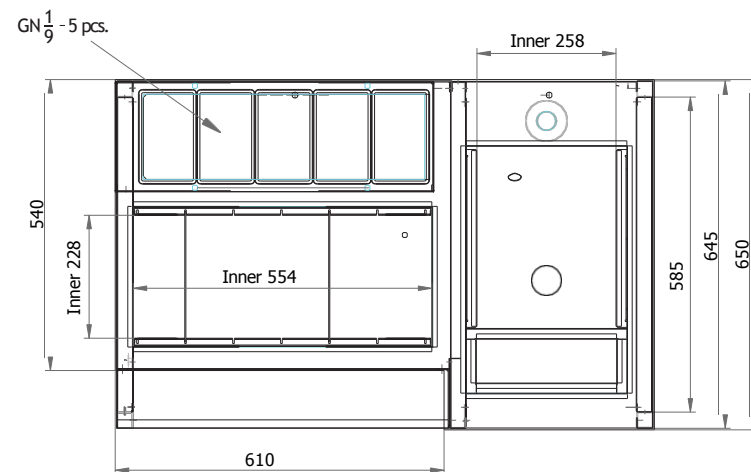
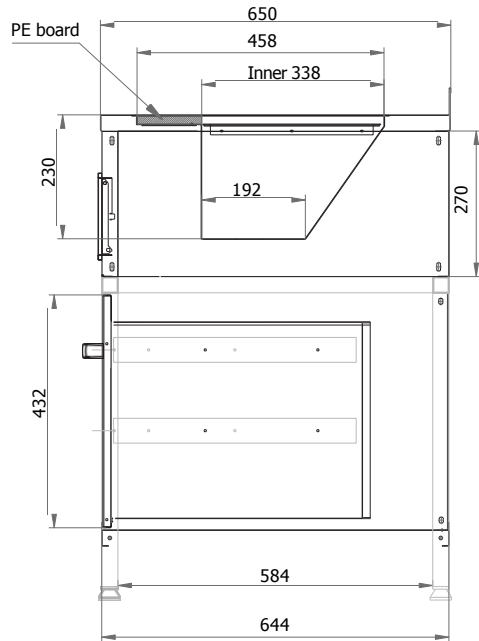
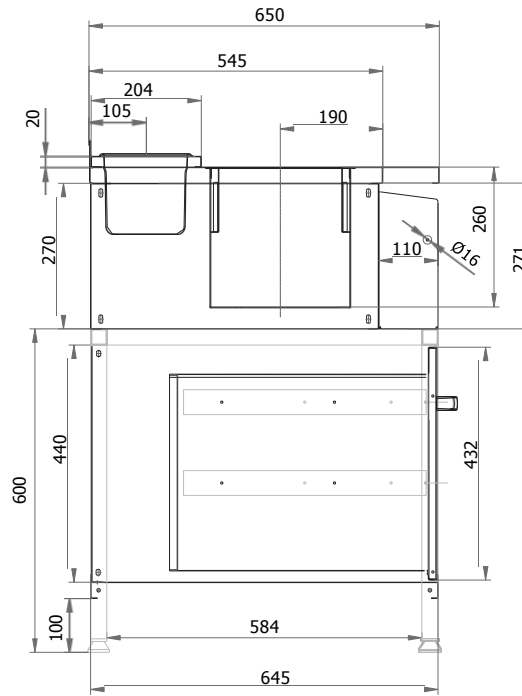
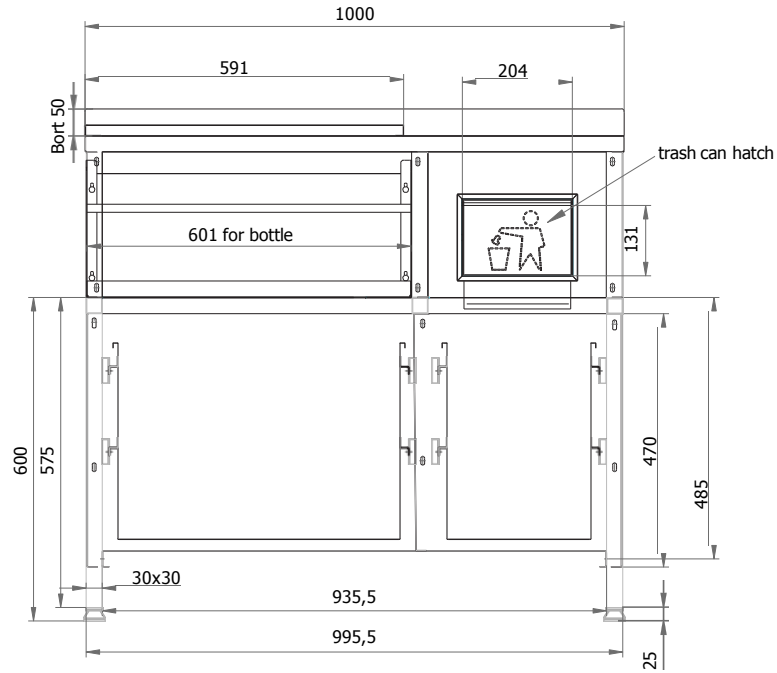


STANDARD LINE

BAR STATION (BMFD-3)



STANDARD LINE



BAR STATION (BMFD-3)

- Stainless steel construction

- Insulated ice well with dividers (554x288mm)

- 5 GN 1/9 trays for bar condiments

- Front-mounted single speedrack for bottles

- One neutral temperature drawer below for bottles

- Sink (335x550mm)

- Integrated glass rinser in the sink

- Sliding plastic cutting board

- Compartment for organic waste

- Waste flap in front

- One drawer for garbage bag

- Rear upstand 50mm at the back

- Dimension (mm): 1000x650x900

Price:

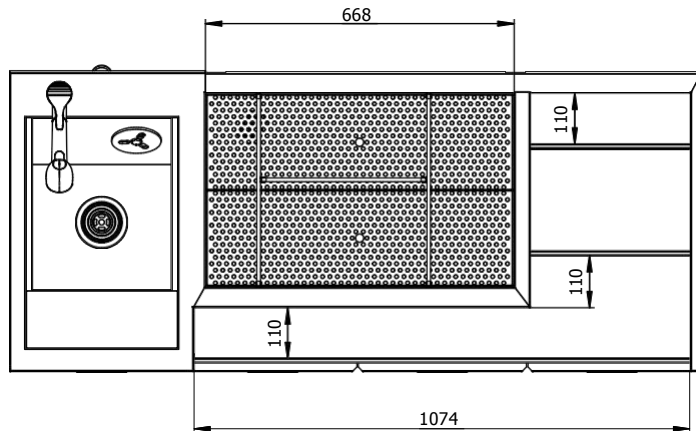
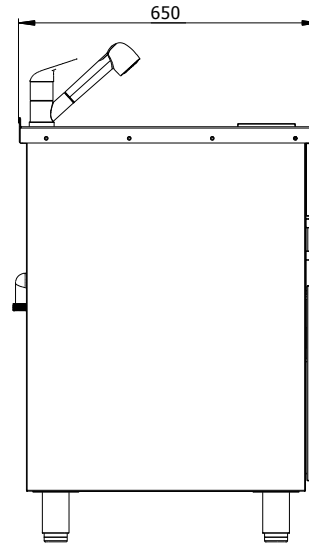
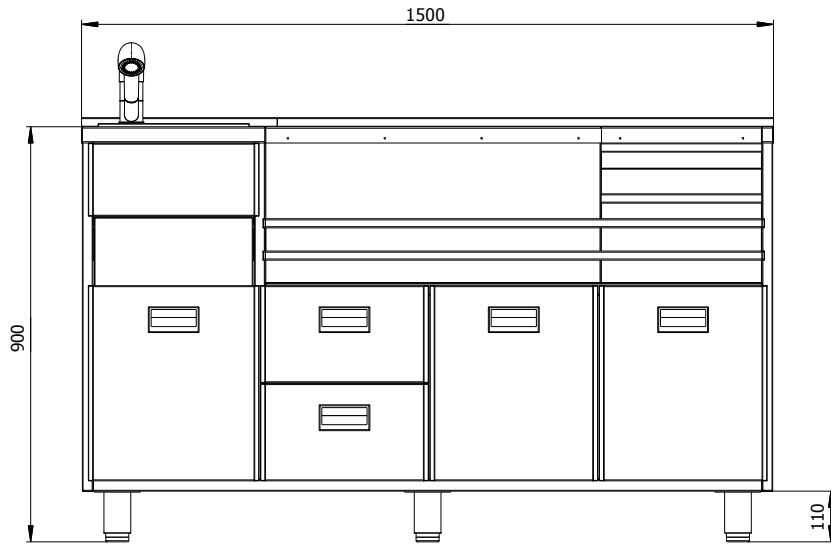
PROFESSIONAL LINE

BAR STATION (BMPR-1)



PROFESSIONAL LINE

BAR STATION (BMPR-1)



Stainless steel construction

Insulated ice well with dividers
(668x375mm)

4 GN 1/9 trays for bar condiments

Custom speedrack for bottles

Four neutral temperature drawers
below for bottles

Sink (330x500mm)

Integrated glass rinser in the sink

Sliding plastic cutting board

Compartment for organic waste

Waste flap in front

One drawer for garbage bag

Rear upstand 20mm at the back

Dimension (mm): 1500x650x900

Price:

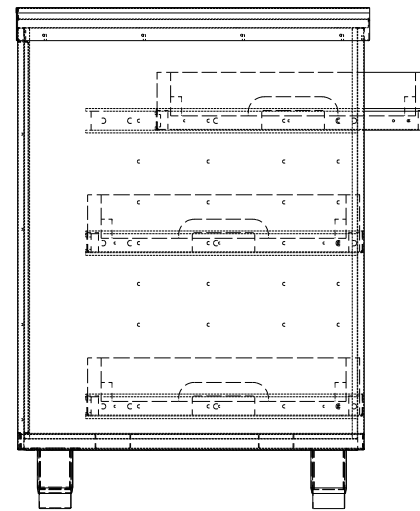
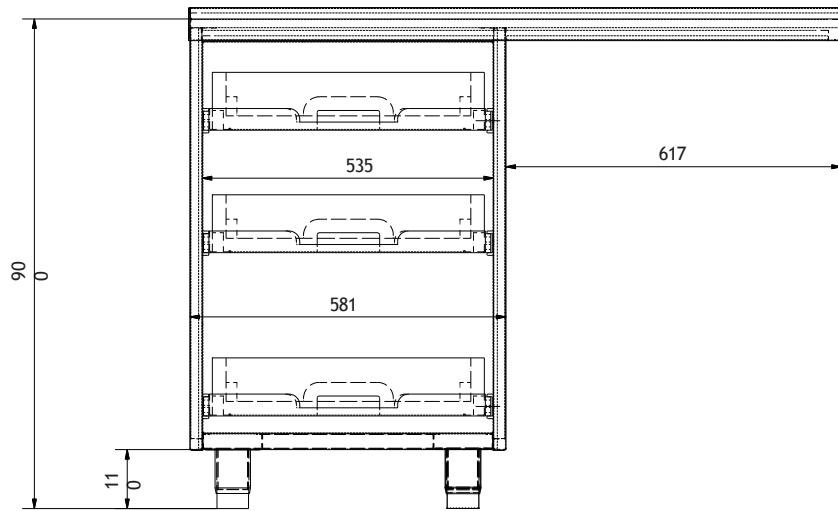
DISHWASHING STATIONS

DISHWASHING STATION WITH BASKET STORAGE (GF-12/065.DW3.B)



DISHWASHING STATIONS

DISHWASHING STATION WITH BASKET STORAGE (GF-12/065.DW3.B)



Stainless steel construction

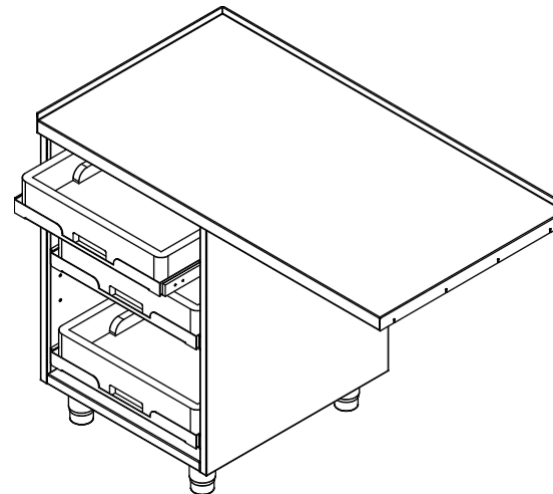
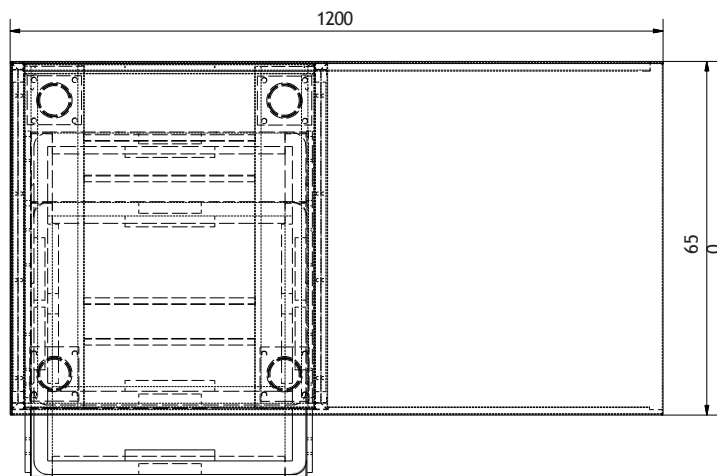
Three drawers for dishwashing
basket storage

Free space for under-counter
dishwasher

Rear upstand 20mm at the back

Dimension (mm): 1200x650x900mm

Price:



PROFESSIONAL LINE

BAR STATION (BMPR-2)



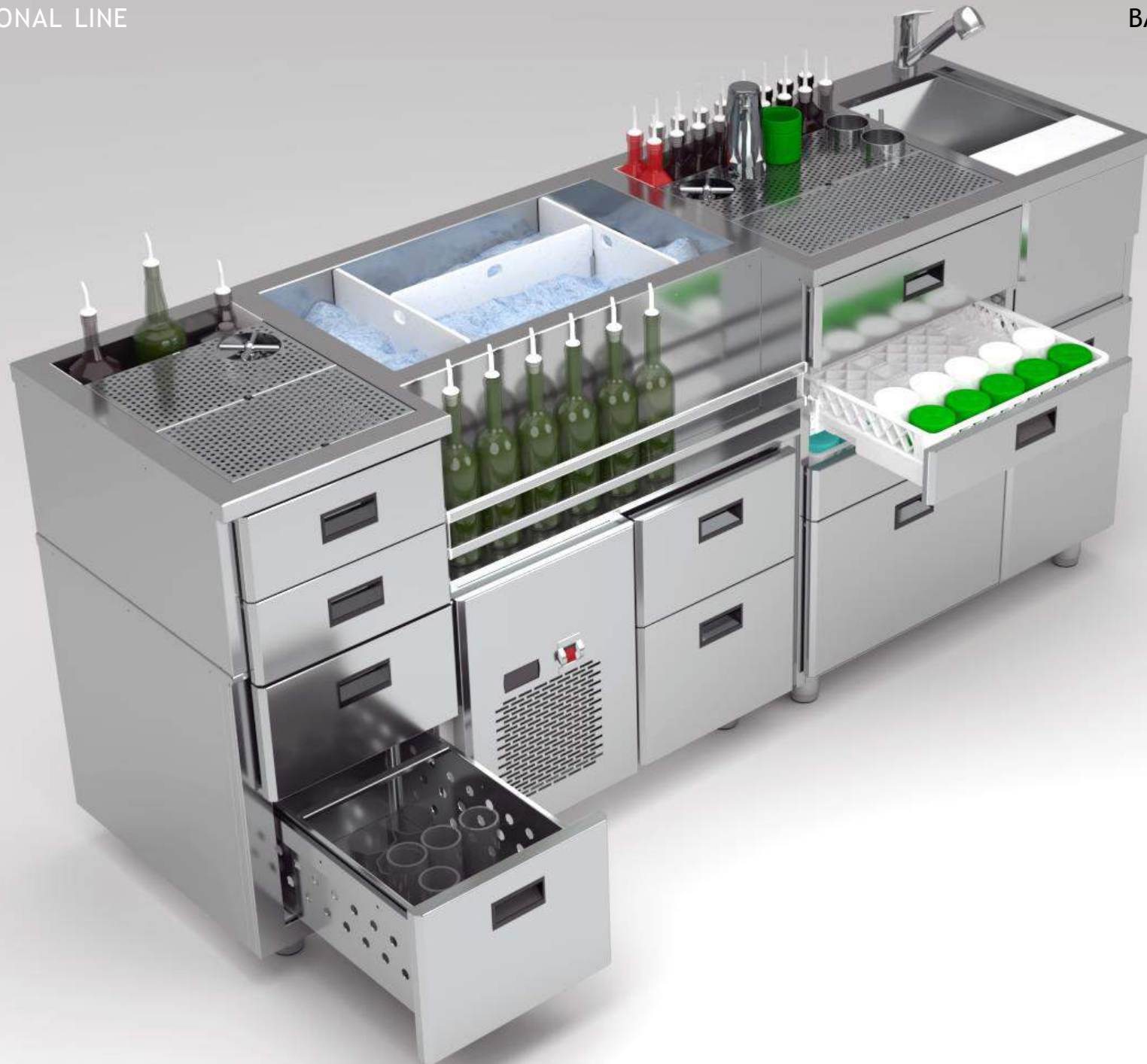
PROFESSIONAL LINE

BAR STATION (BMPR-2)



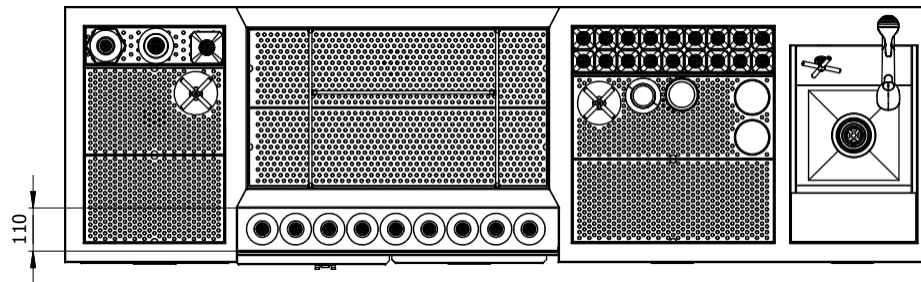
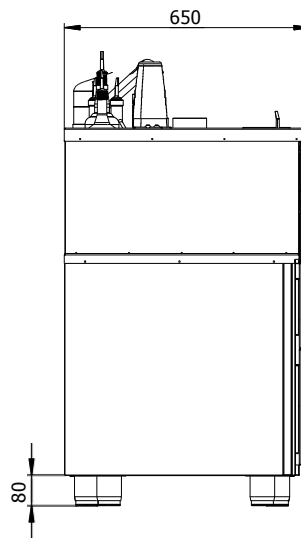
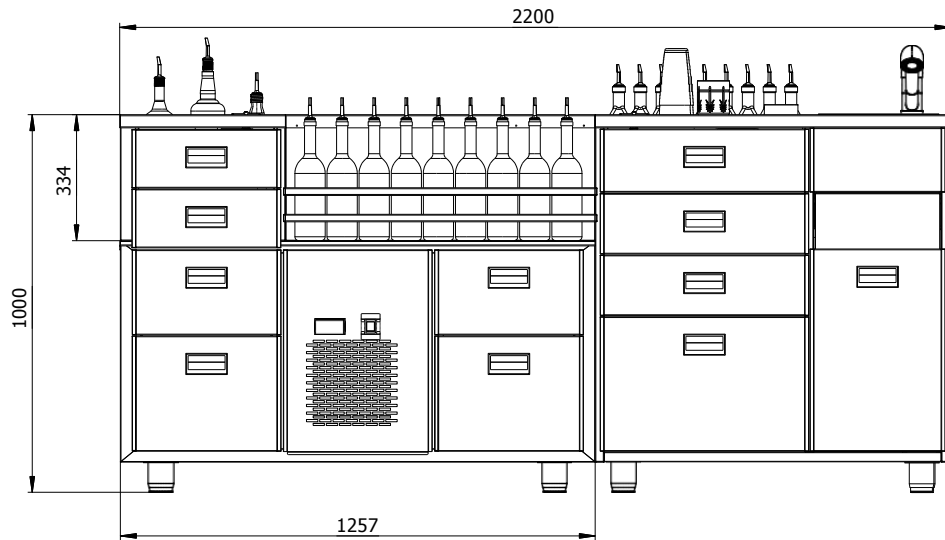
PROFESSIONAL LINE

BAR STATION (BMPR-2)



PROFESSIONAL LINE

BAR STATION (BMPR-2)



Stainless steel construction

Insulated ice well with dividers (668x375mm)

Integrated freezing table with 4 drawers

Front-mounted single speedrack for bottles

Two drip-tray sections with integrated space for bottles

Two neutral temperature drawers

Two integrated glass rinsers

Storage for glasswear

Sink (330x500mm)

Sliding plastic cutting board

Compartment for organic waste

Waste flap in front

One drawer for garbage bag

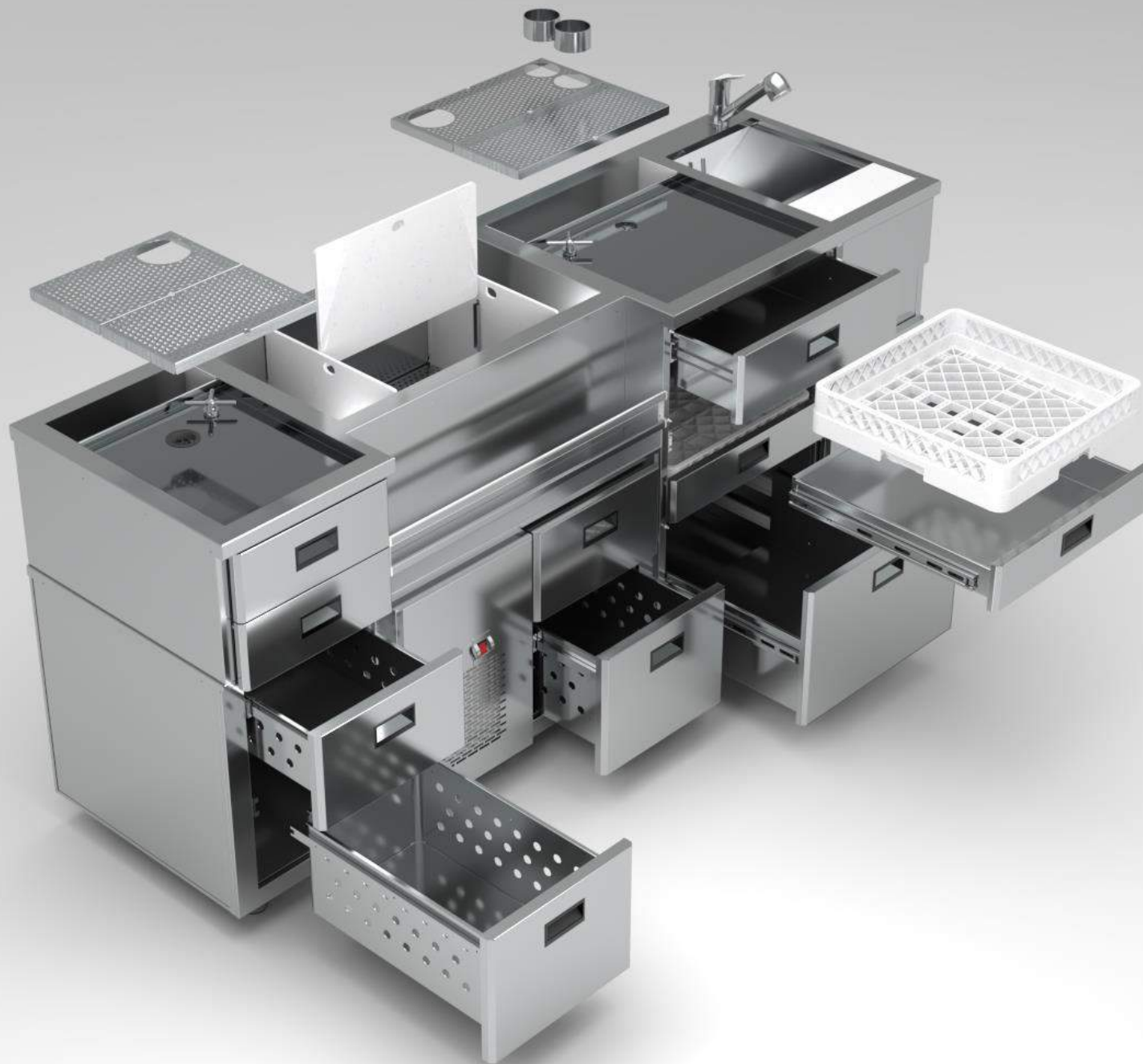
Rear upstand 20mm at the back

Dimension (mm): 2200x650x1000

Price:

PROFESSIONAL LINE

BAR STATION (BMPR-2)

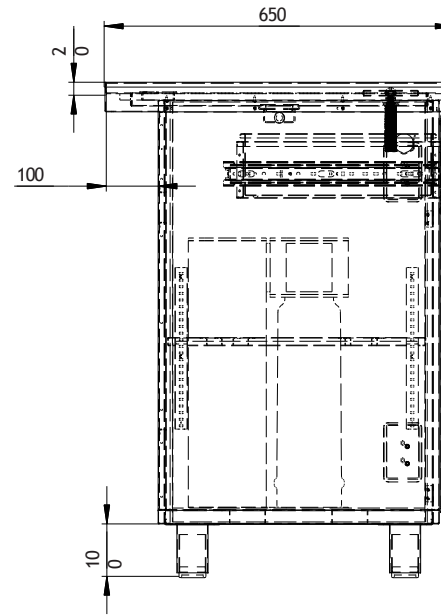
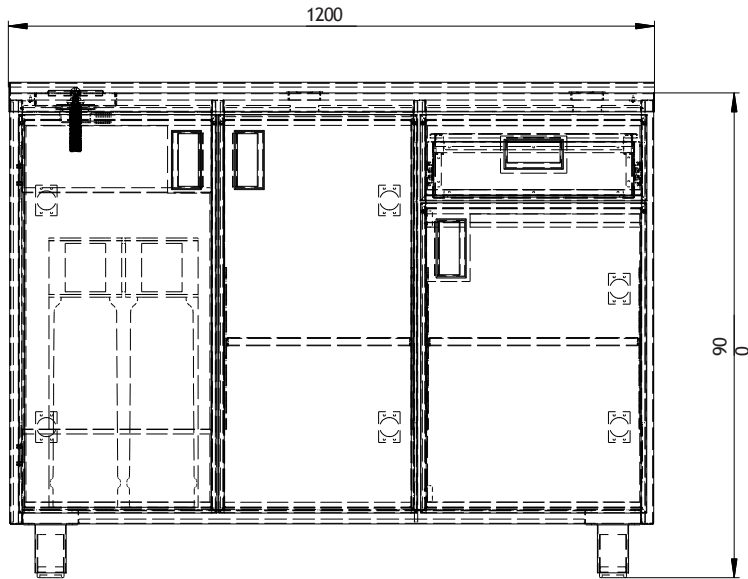


PROFESSIONAL LINE

COFFEE STATION (GDCF-12/065)



PROFESSIONAL LINE



COFFEE STATION (GDCF-12/065)

Stainless steel construction

Coffee knock box

Two hinged doors

Drip tray with integrated glass rinser

Compartment for garbage

Rear upstand 20mm at the back

Dimension (mm): 1200x650x1000

Price:

CUSTOM LINE

BAR STATION (BMCL-29)



Stainless steel construction

Insulated ice well with modular hexagon-style dividers

Four narrow drip-tray sections integrated into the tabletop

Two sinks with integrated glass rinsers

Sliding plastic cutting boards built into the sinks

Compartment for organic waste

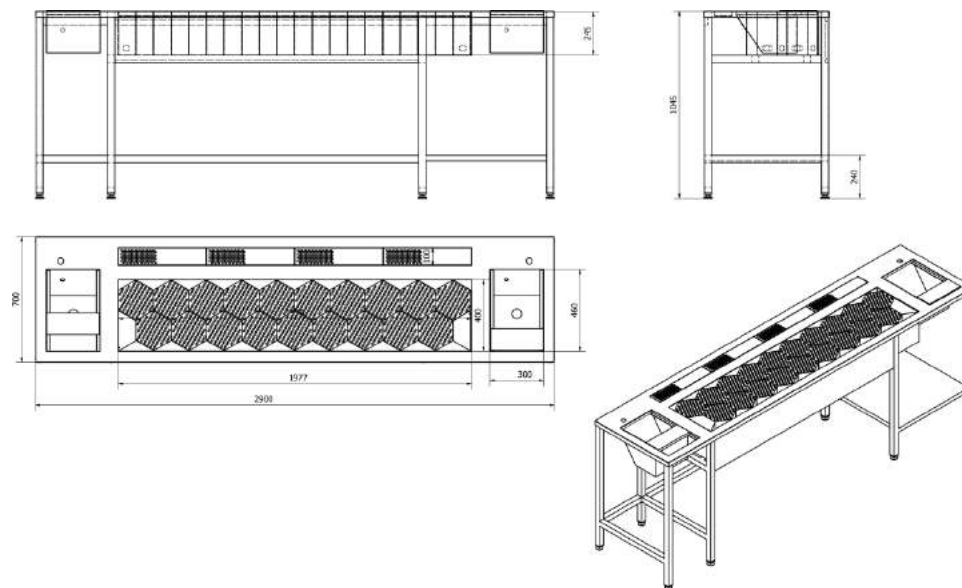
Waste flap in front

One drawer for a garbage bag

Dimension (mm): 2900x700x1000

Customisable size and design for your unique bar setup

Price:



ALL PRICES IN EUR (EXW RIGA)*

CUSTOM LINE

BAR STATION (BMCL-13)



Stainless steel construction

Insulated ice well with modular hexagon-style dividers

Four narrow drip-tray sections integrated into the tabletop

Two sinks with integrated glass rinsers

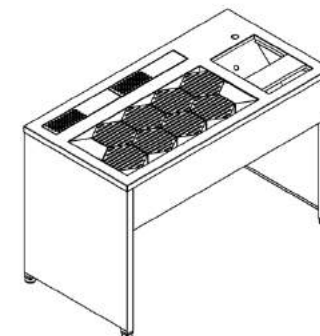
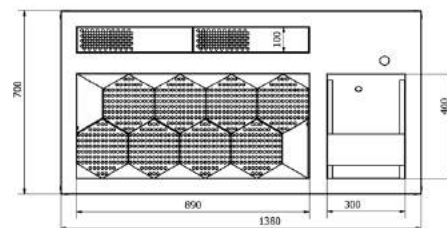
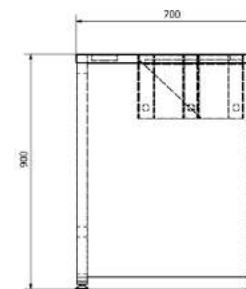
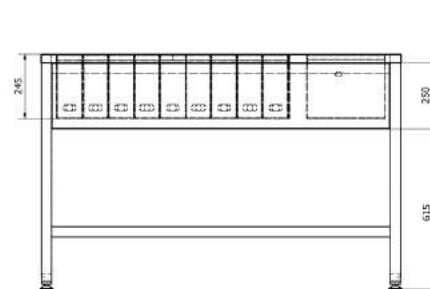
Sliding plastic cutting board built into the sink

Compartment for organic waste

Dimension (mm): 1380x700x1000

Customisable size and design for your unique bar setup

Price:



DISHWASHING STATIONS

DISHWASHING STATION WITH SINK (GD-12/065.S45.UE.B)

Stainless steel construction with door

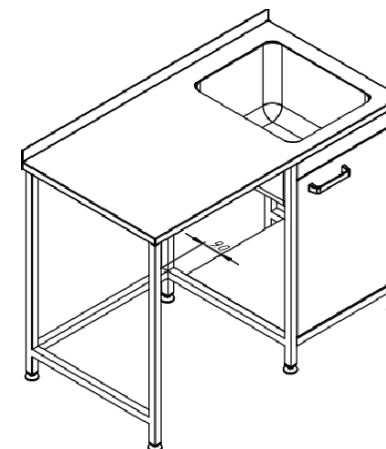
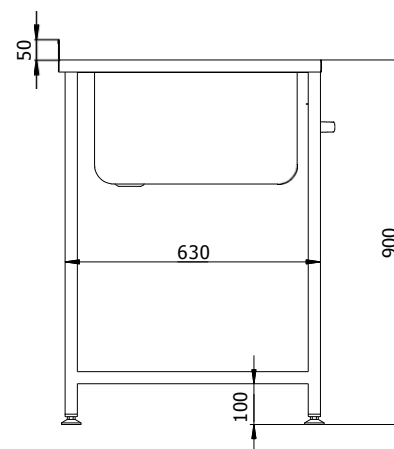
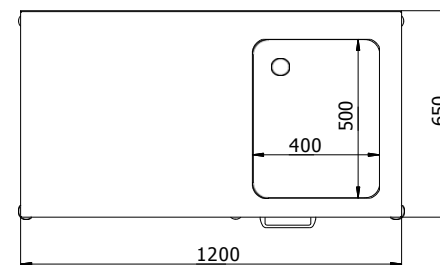
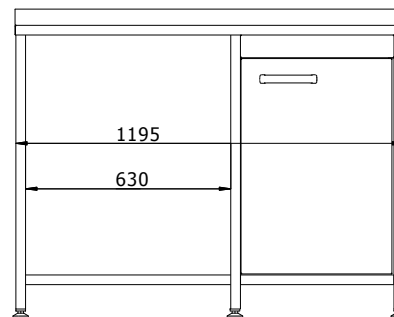
Sink 400x500mm

Free space for under-counter
dishwasher

Rear upstand 50mm at the back

Dimension (mm): 1200x650x900mm

Price:



DISHWASHING STATIONS



DISHWASHING STATION WITH BASKET STORAGE

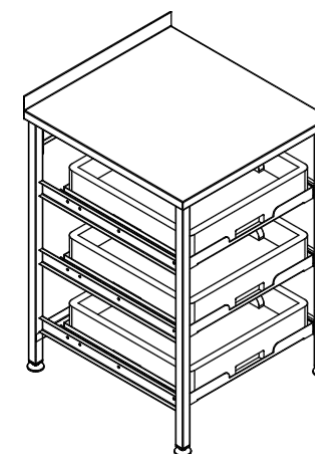
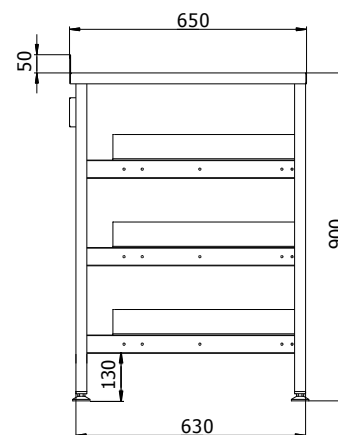
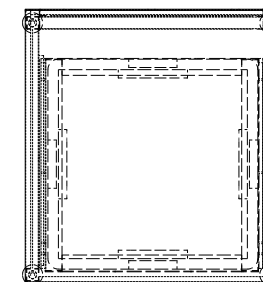
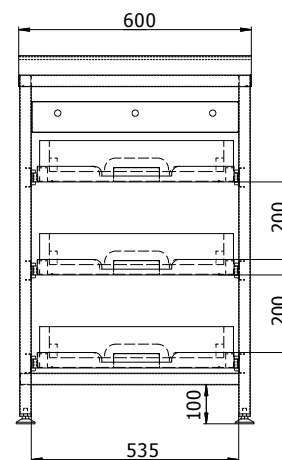
Stainless steel construction with door

Three drawers for dishwashing basket storage

Rear upstand 50mm at the back

Dimension (mm): 600x650x900mm

Price:



COOLING EQUIPMENT

BAR STATION COOLING TABLES

Stainless steel construction

Cassette type monobloc (R290)

Temp. +2 to +6 degrees C

Doors and drawers compatible with standard bottle sizes

Rear upstand 50mm at the back



ALL PRICES IN EUR (EXW RIGA)*

ADDITIONAL EQUIPMENT

TABLE WITH INTEGRATED DRIP-TRAY

Stainless steel construction

Integrated drip-tray

Free space for undercounter equipment

Rear upstand 50mm at the back

Available sizes (mm)

Price*

GP-06/065.B - 600x650x900mm

GP-07/065.B - 700x650x900mm

GP-08/065.B - 800x650x900mm

GP-09/065.B - 900x650x900mm

GP-10/065.B - 1000x650x900mm

GP-11/065.B - 1100x650x900mm

GP-12/065.B - 1200x650x900mm

Corner module

GP-065/065.2B - 650x650x900mm

311 €



ALL PRICES IN EUR (EXW RIGA)*

ADDITIONAL EQUIPMENT



NEUTRAL DRAWER STATION

Stainless steel construction

Three neutral drawers

Rear upstand 50mm at the back

Dimension (mm): 600x650x900mm

Available sizes (mm)

Price*

GF-04/065.DW3.B - 400x650x900

GF-05/065.DW3.B - 500x650x900

GF-06/065.DW3.B - 600x650x900

GF-07/065.DW3.B - 700x650x900

GF-08/065.DW3.B - 800x650x900

ADDITIONAL EQUIPMENT



SINK STATION (GF-04/065.S23.SH.B)

Stainless steel construction

Sink (240x300mm)

Smooth bottom shelf

Rear upstand 50mm at the back

Dimension (mm): 400x650x900mm

Price:

ADDITIONAL EQUIPMENT



NEUTRAL TABLE WITH SHELF

Stainless steel construction

Smooth bottom shelf

Rear upstand 50mm at the back

Available sizes (mm)	Price*
GF-04/065.SH.B - 400x650x900	
GF-05/065.SH.B - 500x650x900	
GF-06/065.SH.B - 600x650x900	
GF-07/065.SH.B - 700x650x900	
GF-08/065.SH.B - 800x650x900	
GF-09/065.SH.B - 900x650x900	
GF-10/065.SH.B - 1000x650x900	
GF-11/065.SH.B - 1100x650x900	
GF-12/065.SH.B - 1200x650x900	

ADDITIONAL EQUIPMENT



NEUTRAL TABLE WITH HINGED DOORS

Stainless steel construction

Additional smooth inside shelf

Rear upstand 50mm at the back

Available sizes (mm)	Price*
----------------------	--------

GD-04/065.B - 400x650x900	
---------------------------	--

GD-05/065.B - 500x650x900	
---------------------------	--

GD-06/065.B - 600x650x900	
---------------------------	--

GD-07/065.B - 700x650x900	
---------------------------	--

GD-08/065.B - 800x650x900	
---------------------------	--

GD-09/065.B - 900x650x900	
---------------------------	--

GD-10/065.B - 1000x650x900	
----------------------------	--

GD-11/065.B - 1100x650x900	
----------------------------	--

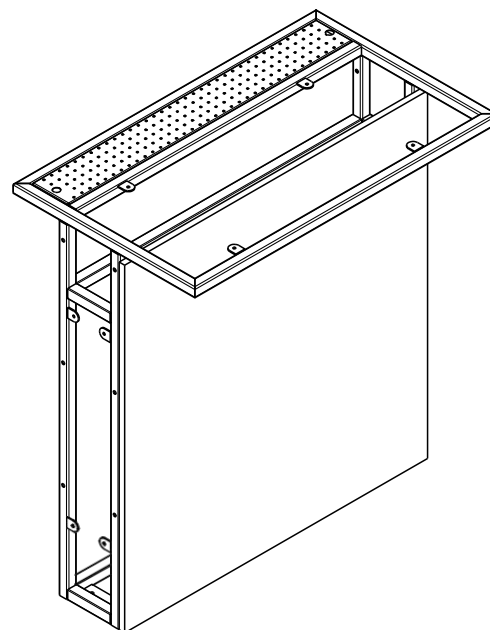
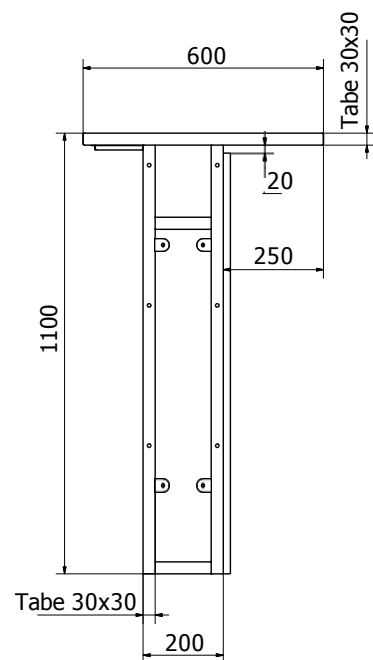
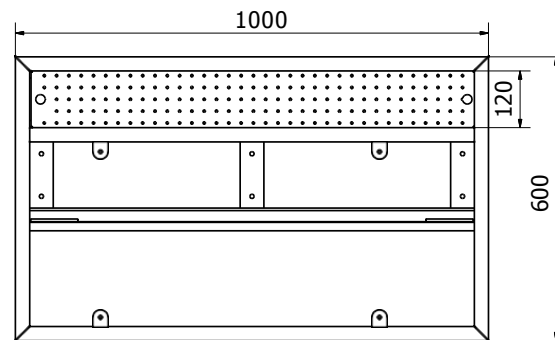
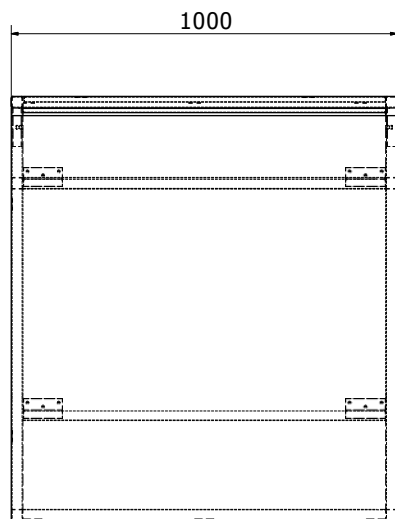
GD-12/065.B - 1200x650x900	
----------------------------	--

ADDITIONAL EQUIPMENT

MODULAR BAR COUNTER FRAME



ADDITIONAL EQUIPMENT



MODULAR BAR COUNTER FRAME

Stainless steel construction

Floor fixings

Integrated drip tray

Available sizes (mm)	Price*
----------------------	--------

BS-500	
--------	--

BS-600	
--------	--

BS-700	
--------	--

BS-800	
--------	--

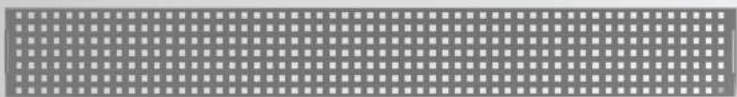
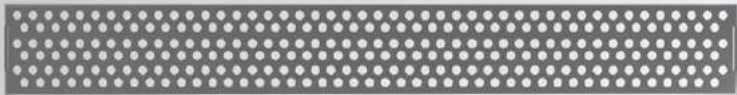
BS-900	
--------	--

BS-1000	
---------	--

Corner module

BS-CR

ACCESSORIES



DRIP TRAYS

3 different cutout patterns

Possibility to custom order your own logo cutouts

Optional supports for fixing drip tray to the bar counter

Available sizes (mm)

Price*

BT-04/01 - 400x100

BT-05/01 - 500x100

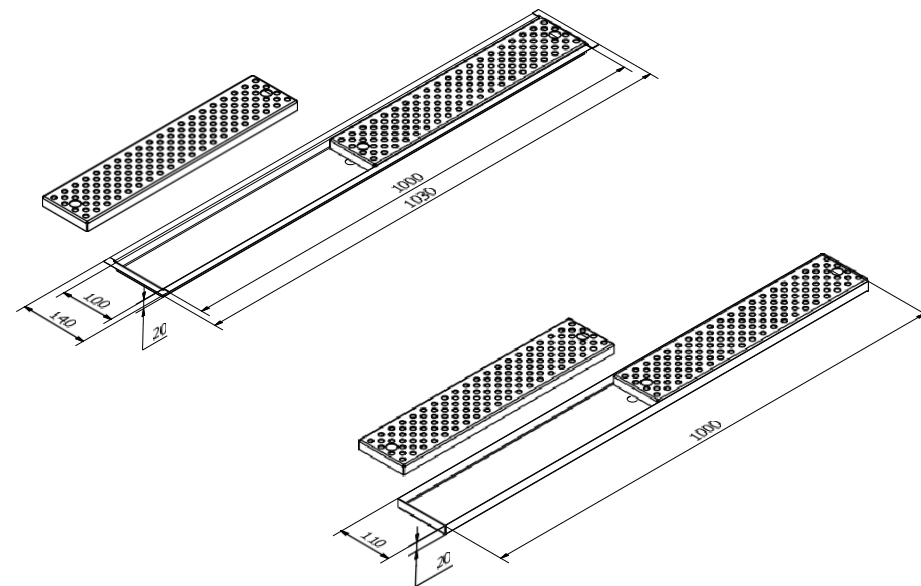
BT-06/01 - 600x100

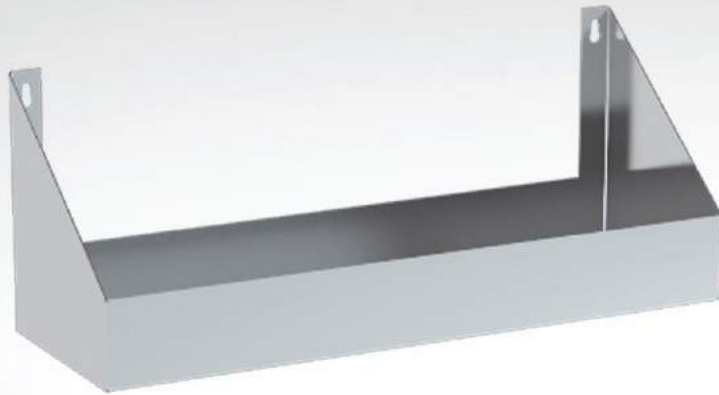
BT-06/01 - 700x100

BT-08/01 - 800x100

BT-09/01 - 900x100

BT-10/01 - 1000x100





Stainless steel construction
 Single and double row versions
 Front mounted

Available length sizes (mm)	Price*
-----------------------------	--------

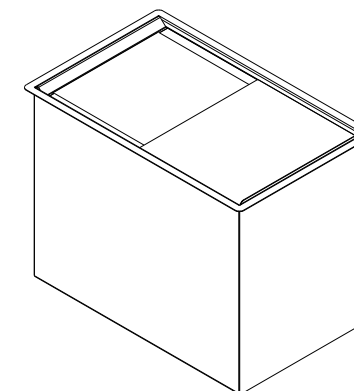
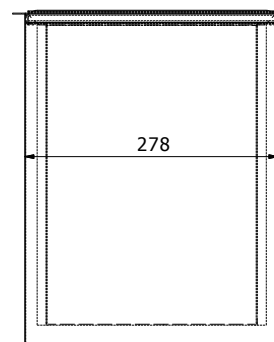
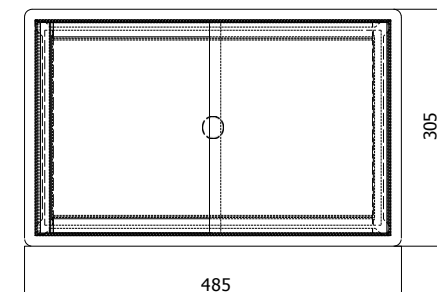
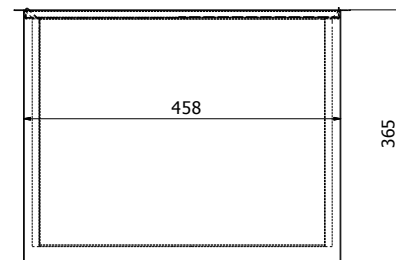
Single row	
SR1-04/01 - 400mm	
SR1-06/01 - 600mm	
SR1-08/01 - 800mm	
SR1-10/01 - 800mm	
SR1-12/01 - 1000mm	
Double row	
SR2-04/01 - 400mm	
SR2-06/01 - 600mm	
SR2-08/01 - 800mm	
SR2-10/01 - 800mm	
SR2-12/01 - 1000mm	

Stainless steel construction with insulation

Sliding lid

Dimensions: 485x305x365mm

Price:



EXAMPLES



EQUIPMENT COMBINATIONS

